

↙ NATIONAL FREE SERVICE TEL
400-855-1922

↙ **PRODUCT MANUAL**

E L E V A T O R



E L E V A T O R

**LIFT YOUR
BETTER LIFE.**



KÖLETECH

Embracing Safety & Comfort

Series Passenger Elevator



Focus on value

Improve customers experience



Innovation

Combine new technology with traditions, to ensure a safe and comfortable ride for everyone



Diversity Cabin Design

Follow international trends for car decorations

SWIFT-MR

Range of use

- Lifting height ≤ 110m
- Rated Speed ≤ 2.0m/s
- Number of floors ≤ 38
- Capacity ≤ 1150kg

SWIFT-MRL

Range of use

- Lifting height ≤ 110m
- Rated Speed ≤ 2.0m/s
- Number of floors ≤ 38
- Rated Load ≤ 1150kg




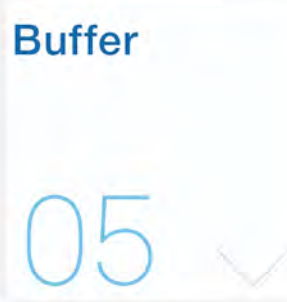


SWIFT-EXTREME

Range of use

- Lifting height ≤ 90m
- Rated Speed ≤ 1.75m/s
- Number of floors ≤ 33
- Rated Load ≤ 1050kg



FOCUS VALUE

<p>Traction Machine</p> <p>01 ></p> 	<p>Door operator</p> <p>02 <</p> 
<p>Safety gear</p> <p>< 03</p> 	<p>Buffer</p> <p>05 <</p> 
<p>Speed governor</p> <p>04 ></p> 	<p>Control cabinet</p> <p>< 06</p> 

6  **Main parts**

5  **Years warranty**



Higher civil construction utilization

Save 10-20% Construction

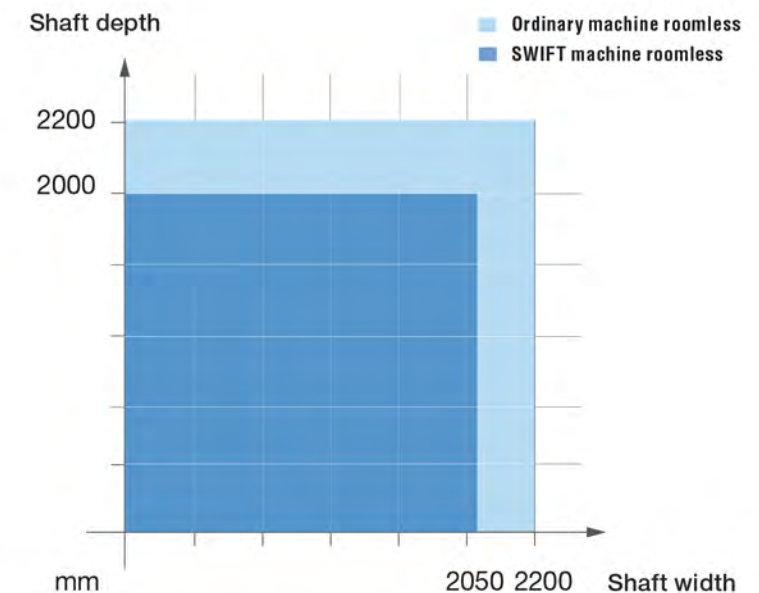
The new civil layout structure has increased the utilization rate of the whole shaft by 10-20%. Eliminate the limit of elevators on the building design and use, and greatly save the customer's construction costs.

No limitations, Endless possibilities

Optimize the building space and not need to reserve complex holes in shaft, and the civil requirements are simpler, bringing endless possibilities for limited building space. Allow passengers to have a more spacious and comfortable elevator experience.



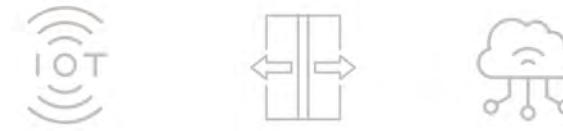
-  Reduce energy consumption
-  Use space efficiently
-  Shorten installation period





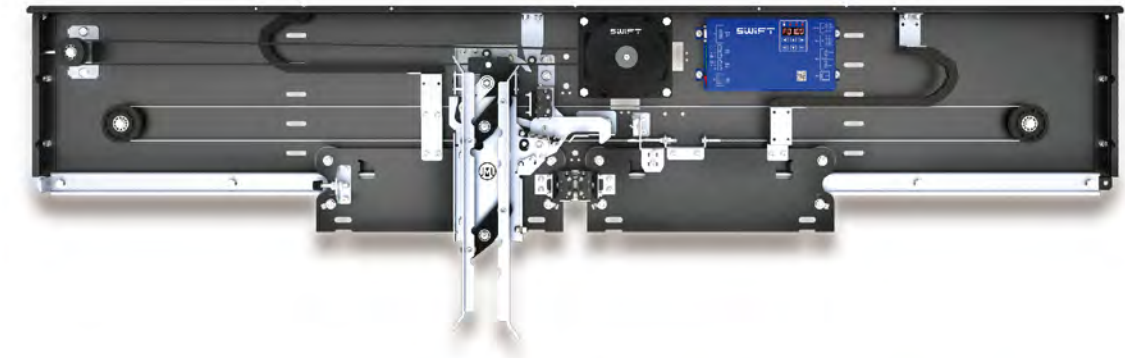
Advanced **PLM** product management system Serve the entire products Life Cycle

Automaticly intelligent order processing and innovative installation methods reduce the project period; The Core components identity authentication registered ensure the quality and safety of after-sales parts; The elevator internet cloud monitors the elevator transportation quality data in real time to ensure the safe operation of the whole life cycle of the product.



'0' s waiting of the doors open & close Not be anxious waiting during peak hours

The industry's ultra-thin 60MM door machine thickness optimizes the operation curve of the door machine system to ensure the smooth operation of the elevator door, and reduces maintenance costs. At the same time, connecting with IOT elevator cloud internet, big data adaptive operation parameters, the elevator is more comfortable and safer.



20%

The start-stop efficiency is higher than that of traditional door machines

30%

The door machine noise is lower than that of the traditional type



SMART & INNOVATIVE

“ *Specially Developed For Machine-less Room Customization* ”

EXTREME TRACTION MACHINE

Double support structure, double sealed bearings maintenance-free, mature and stable, developed for machine roomless shafts, balancing power density, efficiency, noise to ultimately optimize the quality value.

-24 mm

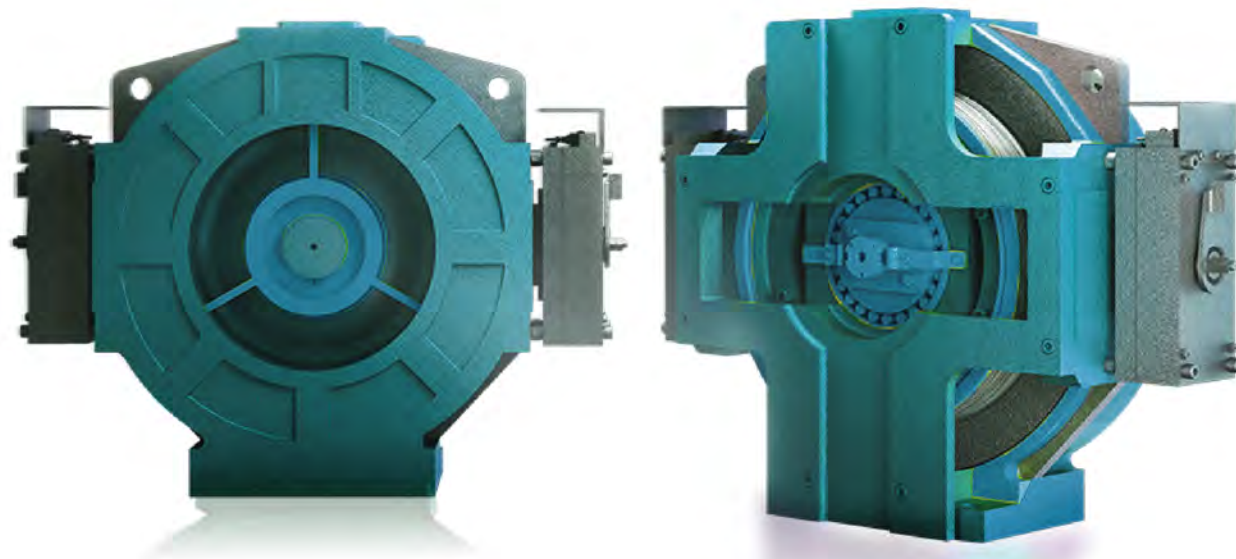
The machine height

-7 db

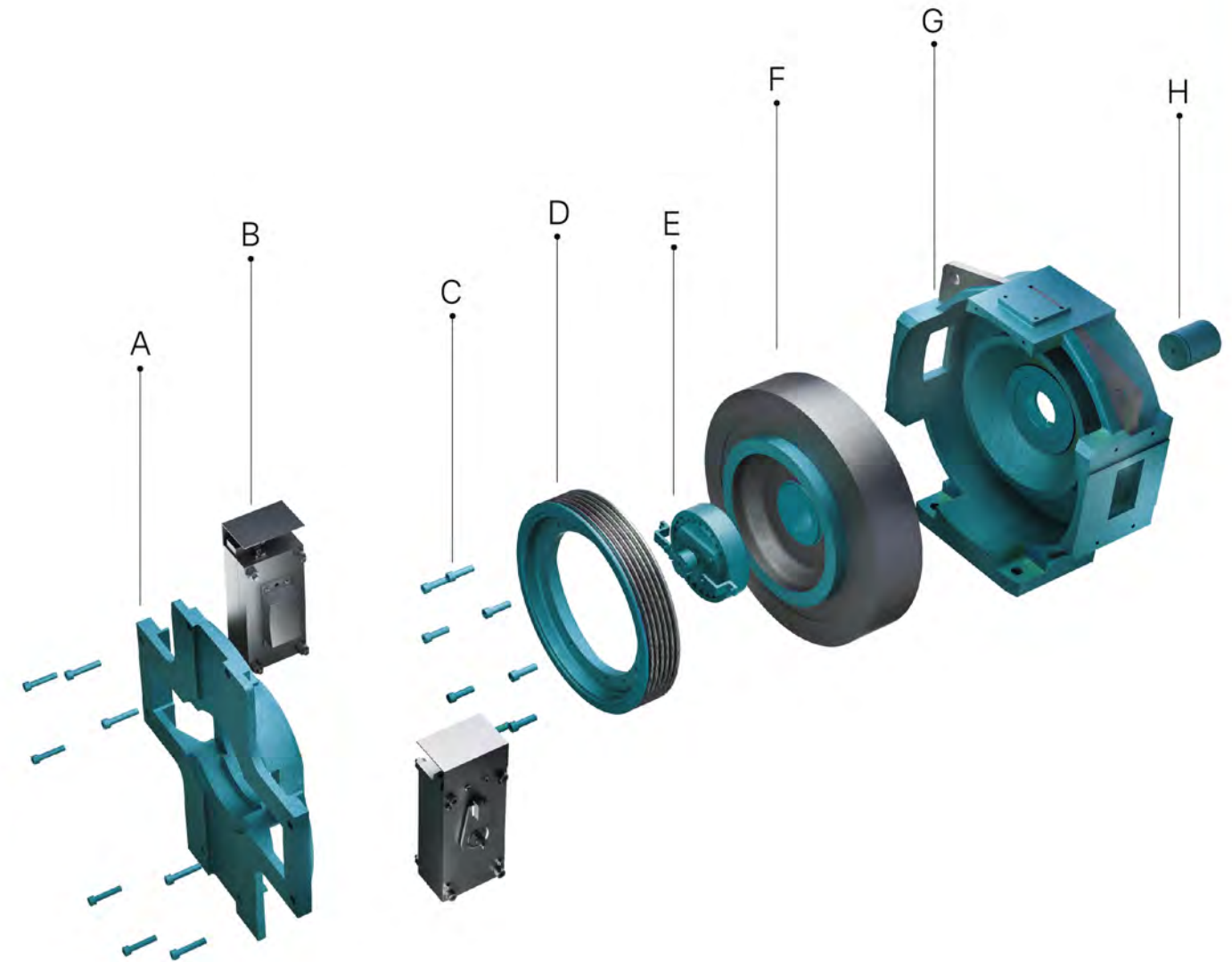
Free-load noise

-72 mm

The thickness of machine cover



Product Details



Machine Structure

- Tractor Machine Cover
- Mounting Screws
- Self-aligning Bearing
- Traction Machine Frame
- B - Brake
- D - Traction Wheel
- F - Stator Assembly
- H - Shaft



DIVERSITY INTERIOR

Standard cabin

LY-K101-A

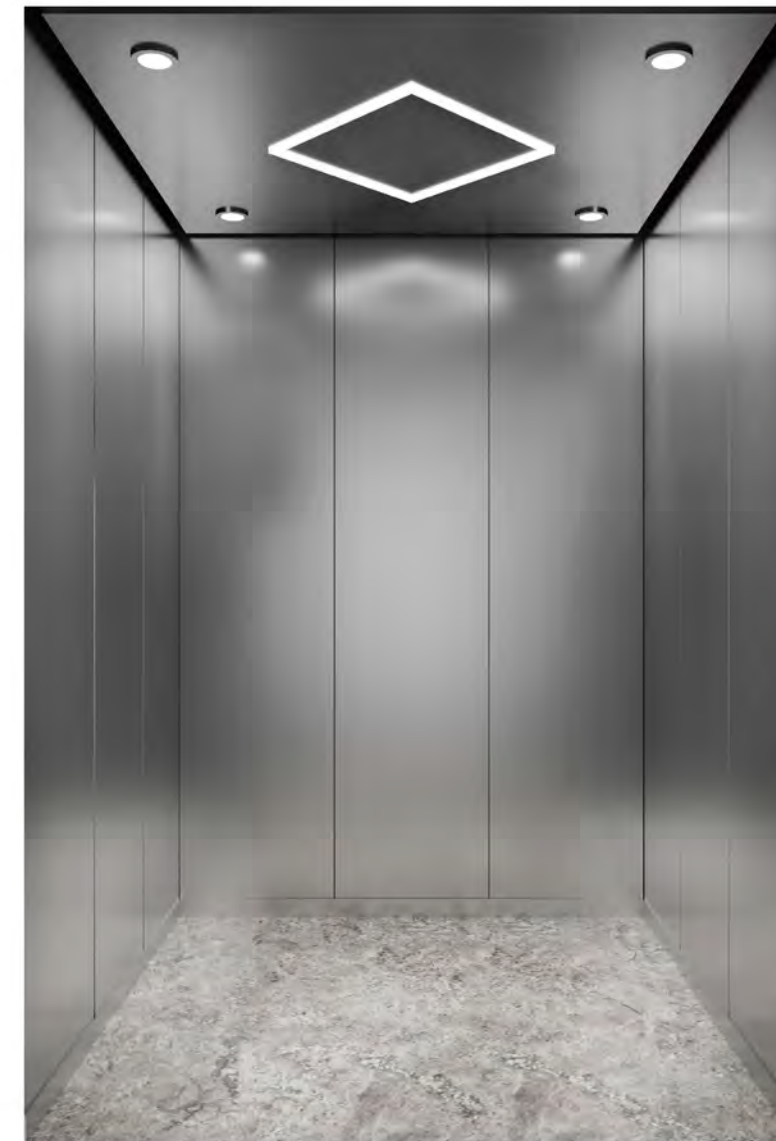
Front wall	• Hairline stainless steel
Back wall	• Hairline stainless steel With mirror stainless steel
Left wall	• Hairline stainless steel
Right wall	• Hairline stainless steel
Ceiling	• Painted Steel plate spraying, LED lighting
Floor	• PVC



Standard cabin

LY-K101-B

Front wall	• Hairline stainless steel
Back wall	• Hairline stainless steel With mirror stainless steel
Left wall	• Hairline stainless steel
Right wall	• Hairline stainless steel
Ceiling	• Painted Steel plate spraying, LED lighting
Floor	• PVC



※ LY-K101

Standard cabin

LY-K101

Front wall	• Hairline stainless steel
Back wall	• Hairline stainless steel
Left wall	• Hairline stainless steel
Right wall	• Hairline stainless steel
Ceiling	• Painted Steel plate spraying, LED lighting
Floor	• PVC



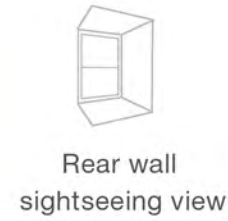
※ LY-K102

Rear wall sightseeing cabin



LY-K102

Front wall	• Hairline stainless steel
Back wall	• Hairline stainless steel+glass
Left wall	• Hairline stainless steel
Right wall	• Hairline stainless steel
Ceiling	• Painted Steel plate spraying, LED lighting
Floor	• PVC



Swift Details

New Experience



Soft lighting with natural light

The lights in the car have been adjusted, as if people are in the natural light outside, feeling comfortable and happy like at home.



Intelligent voice pacification

When there is an unexpected power failure or elevator faulty during the ride, the voice comfort function will be activated automatically, reducing the anxiousness of passengers.



Clean air sterilization fan (optional)

The sterilization fan freshes the air when-crowded people take the elevator.



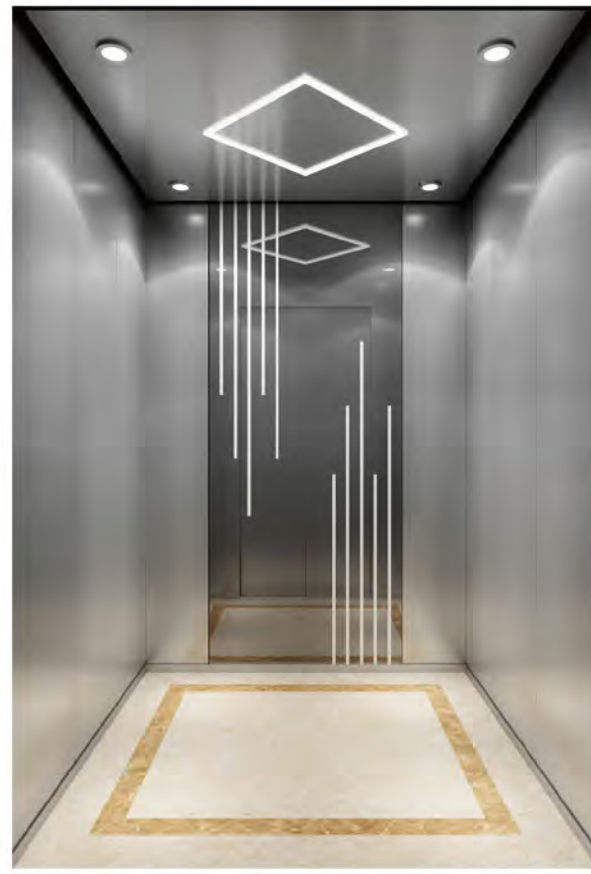
Smooth operation

The sophisticated cabin design with damping devices to provide a smoother and more peaceful riding experience.

※ LY-K103



※ LY-K104



Rear wall-Etched Mirror stainless steel

↖ LY-K103

Front wall	• Hairline stainless steel
Back wall	• Etched mirror +Hairline stainless steel
Left wall	• Hairline stainless steel
Right wall	• Hairline stainless steel
Ceiling	• Steel plate spraying, LED lighting
Floor	• PVC

↑ LY-K104

Front wall	• Hairline stainless steel
Back wall	• Etched mirror +Hairline stainless steel
Left wall	• Hairline stainless steel
Right wall	• Hairline stainless steel
Ceiling	• Steel plate spraying, LED lighting
Floor	• PVC

↖ LY-K105

Front wall	• Hairline stainless steel
Back wall	• Etched mirror +Hairline stainless steel
Left wall	• Hairline stainless steel
Right wall	• Hairline stainless steel
Ceiling	• Steel plate spraying, LED lighting
Floor	• PVC

※ LY-K105



※ LY-K106



※ LY-K107



Colourfull Stainless steel Cabin

↖ LY-K106

Front wall	• Hairline stainless steel
Back wall	• Black titanium mirror etched stainless steel +Hairline stainless steel
Left wall	• Black titanium mirror stainless steel +Hairline stainless steel
Right wall	• Black titanium mirror stainless steel +Hairline stainless steel
Ceiling	• Hairline stainless steel+LED lighting
Floor	• PVC or Marble

↑ LY-K107

Front wall	• Hairline stainless steel
Back wall	• Mirror etched stainless steel + Bronze Hairline stainless steel
Left wall	• Bronze Hairline stainless steel + Mirror stainless steel
Right wall	• Bronze Hairline stainless steel + Mirror stainless steel
Ceiling	• Mirror stainless steel+LED light
Floor	• PVC or Marble

↖ LY-K108

Front wall	• Rose gold Mirror stainless steel
Back wall	• Rose gold Mirror etched stainless steel + Rose gold mirror stainless steel
Left wall	• Rose gold Mirror etched stainless steel + Rose gold mirror stainless steel
Right wall	• Rose gold Mirror etched stainless steel + Rose gold mirror stainless steel
Ceiling	• Rose gold Mirror stainless steel+LED light
Floor	• PVC or Marble

※ LY-K108



Custom control box

Operation Panel



LY-COPA01



LY-HOPA01



Original UI design



Floor digital design



LY-COPC01

Disabled Operation Box

LY-COPC01



panel • Hairline stainless steel

Surface Mounted HOP

LY-HOPA01



panel • Hairline stainless steel

panel • Black acrylic

panel • 4.3 inch LED segment code

Split Control Box

LY-COPA01



panel • Sandblasted stainless steel

panel • Black acrylic

panel • 6.4 inch LED segment code

Touched destination control system (MCBC-DDS-T-IC)



※ 10.4 or 15 inch Surface mounted



※ 15 inch With Colum Mounted

Accessibility features (optional)



※ Back wall--Full-height Mirror



※ Left wall--Disabled COP



※ Right wall--Handrail



SHAFT DRAWING

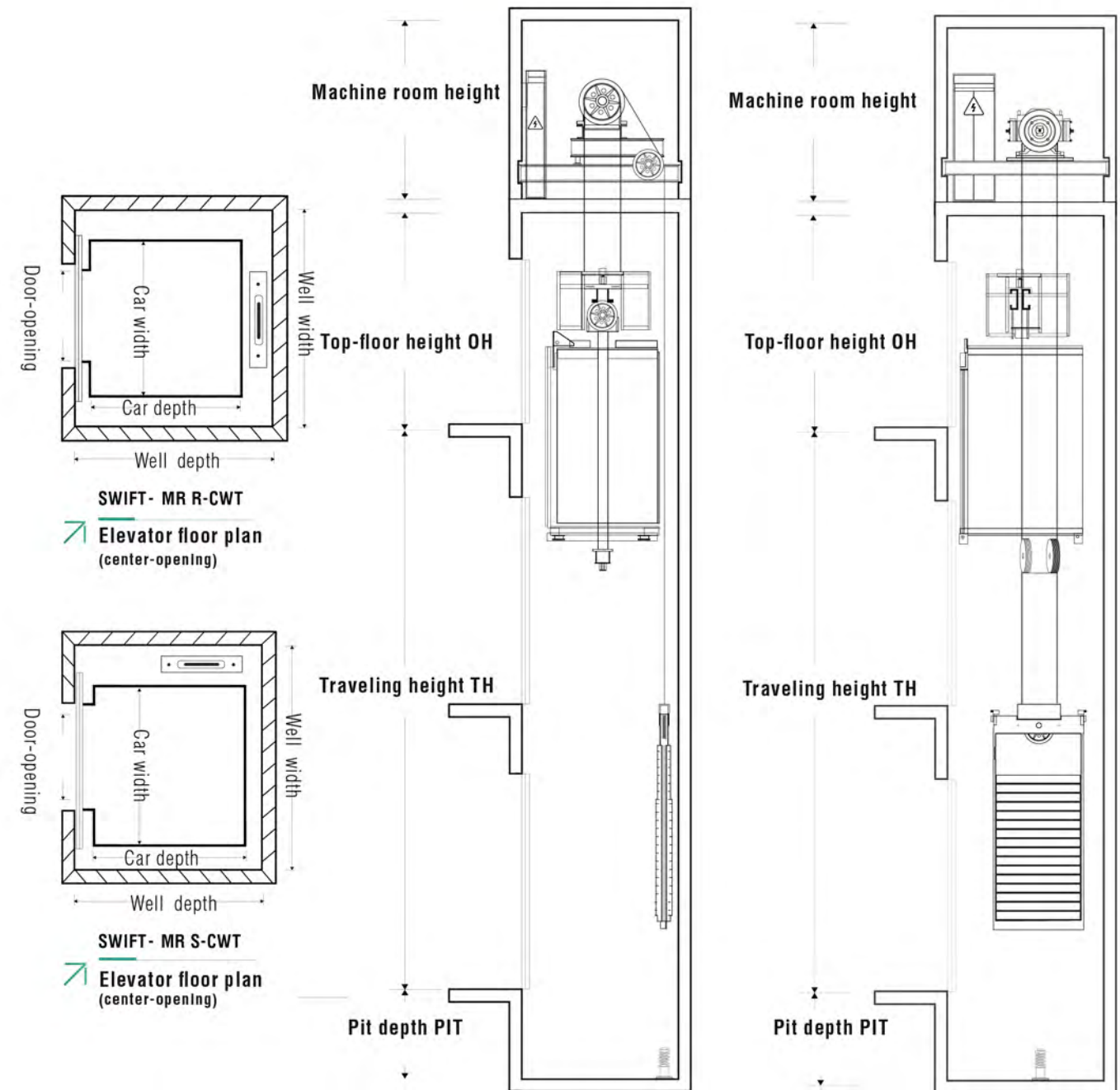


SWIFT-MR R-CWT

machine room
Counterweight rear

SWIFT-MR S-CWT

machine room
Counterweight on sides

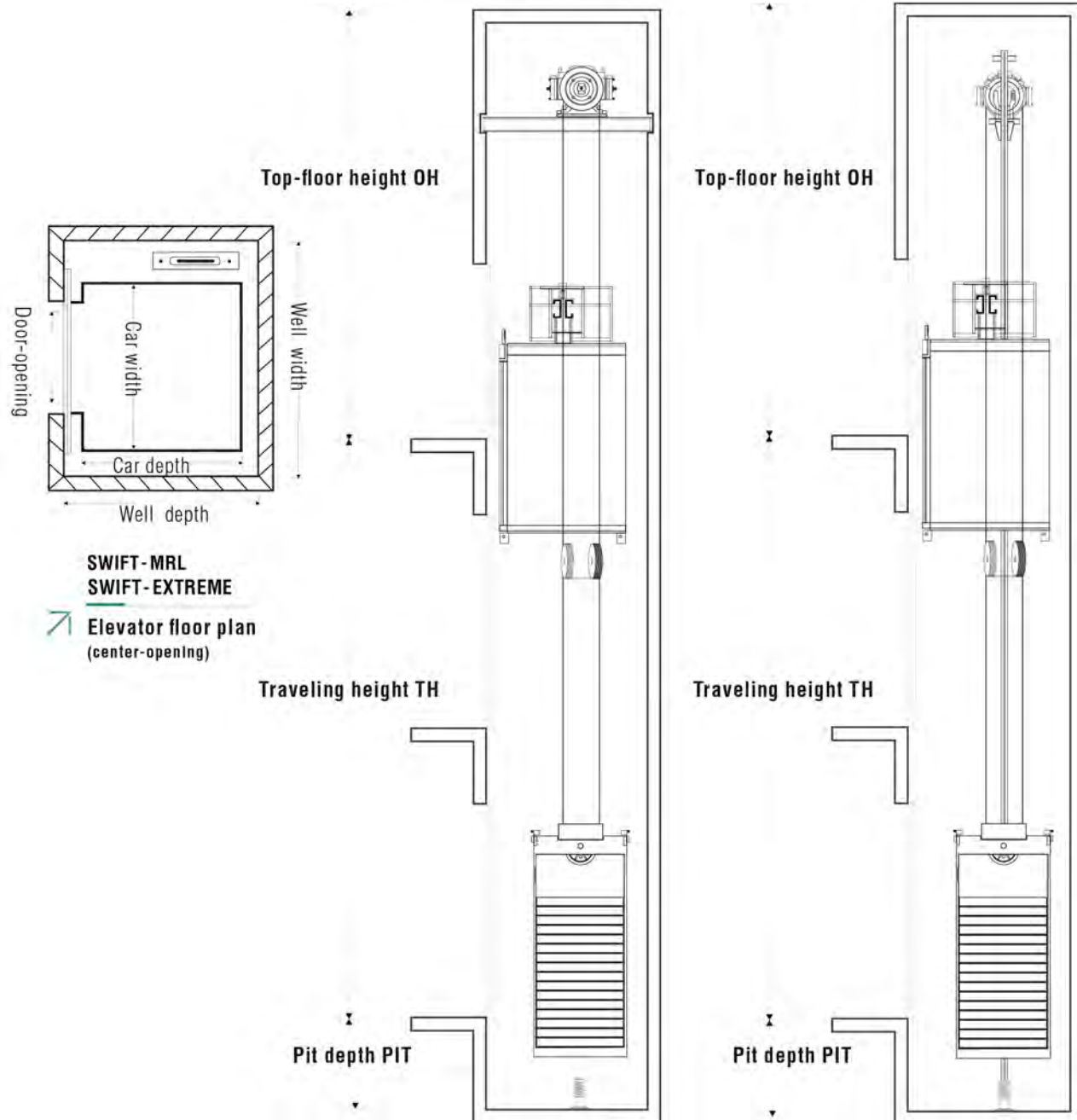




SWIFT-MRL
machine room-less
Rack beam installation



SWIFT-EXTREME
machine room-less
motor installed on rails



Basic parameters

Rated load (KG)	Rated speed (KG)	Minimum over head height (KG)	Minimum pit depth (KG)
SWIFT-MR R-CWT Machine room Counterweight on rear			
630	1.0	CH+1450	1200
	1.6	CH+1600	1300
	1.75	CH+1650	1300
800-1050	1.0	CH+1500	1200
	1.6	CH+1600	1300
	1.75	CH+1700	1300
	2.0	CH+1750	1350
1150	1.0	CH+1500	1200
	1.6	CH+1600	1300
	1.75	CH+1700	1300
SWIFT-MR S-CWT Machine room Counterweight on sides			
630	1.0	CH+1350	1400
	1.6	CH+1500	1500
	1.75	CH+1550	1550
800-1050	1.0	CH+1350	1400
	1.6	CH+1500	1500
	1.75	CH+1550	1550
1150	1.0	CH+1350	1400
	1.6	CH+1500	1500
	1.75	CH+1550	1550
SWIFT-MRL Machine room-less Rack beam installation			
630	1.0	CH+1350	1400
	1.6	CH+1500	1500
	1.75	CH+1550	1550
800-1050	1.0	CH+1350	1400
	1.6	CH+1500	1500
	1.75	CH+1550	1550
1150	1.0	CH+1350	1400
	1.6	CH+1500	1500
	1.75	CH+1550	1550
SWIFT-EXTREME Machine room-less motor on rails			
630	1.0	CH+1350	1400
	1.6	CH+1500	1500
	1.75	CH+1550	1550
800-1050	1.0	CH+1350	1400
	1.6	CH+1500	1500
	1.75	CH+1550	1550

The above data:
630KG Standard CH=2400mm,
800-1150KG Standard CH=2500mm

CH is the car structure height (excluding the height of the decorative layer)

Car/shaft size

Rated load (KG)	Rated speed (KG)	Minimum overhead (W*H) (MM)	Minimum pit (Nw*Nd) depth height (MM)
SWIFT-MR R-CWT Machine room Counterweight rear			
630	1400*1100	800*2100	1900*1700
800	1400*1350	800*2100	1900*1950
1000	1600*1400	900*2100	2100*2000
1050	1600*1500	900*2100	2100*2100
1150	1800*1500	900*2100	2300*2100
SWIFT-MR S-CWT Machine room Counterweight sideways			
630	1100*1400	800*2100	1750*1800
800	1350*1400	800*2100	2000*1800
800 (stretch=10)	1000*2000	800*2100	1750*2400
1000	1400*1600	900*2100	2050*2000
1000 (stretch=10)	1100*2100	900*2100	1950*2500
1050	1500*1600	900*2100	2150*2000
1050 (stretch=10)	1150*2100	900*2100	2000*2500
1150	1500*1800	900*2100	2150*2500
SWIFT-MRL Machine room Rack beam installation			
630	1100*1400	800*2100	1750*1800
800	1350*1400	800*2100	2000*1800
800 (stretch=10)	1000*2000	800*2100	1750*2400
1000	1400*1600	900*2100	2050*2000
1000 (stretch=10)	1100*2100	900*2100	1950*2500
1050	1500*1600	900*2100	2150*2000
1050 (stretch=10)	1150*2100	900*2100	2000*2500
1150	1500*1800	900*2100	2150*2200
SWIFT-EXTREME Machine room-less motor on rail			
630	1100*1400	800*2100	1750*1800
800	1350*1400	800*2100	1900*1800
800 (stretch=10)	1000*2000	800*2100	1750*2400
1000	1400*1600	900*2100	1950*2000
1000 (stretch=10)	1100*2100	900*2100	1950*2500
1050	1500*1600	900*2100	2050*2000
1050 (stretch=10)	1150*2100	900*2100	1950*2500

According to the provisions of the elevator civil engineering technical conditions
The horizontal size of the elevator shaft is the measured minimum headroom size, and the allowable deviation value is

Well height	Allowable deviation value
SH ≤ 30m	0+25mm
30m < SH ≤ 60m	0+35mm
60m < SH ≤ 90m	0+50mm
90m < SH ≤ 125m	0+80mm
125m < SH ≤ 200m	0+100mm

*For technical specifications beyond the scope of this onepage, please contact Lingyi branch